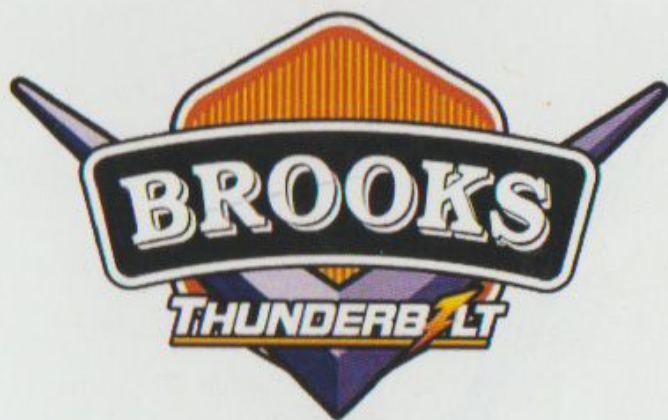


Thunderbolt Parts and Accessories Manual

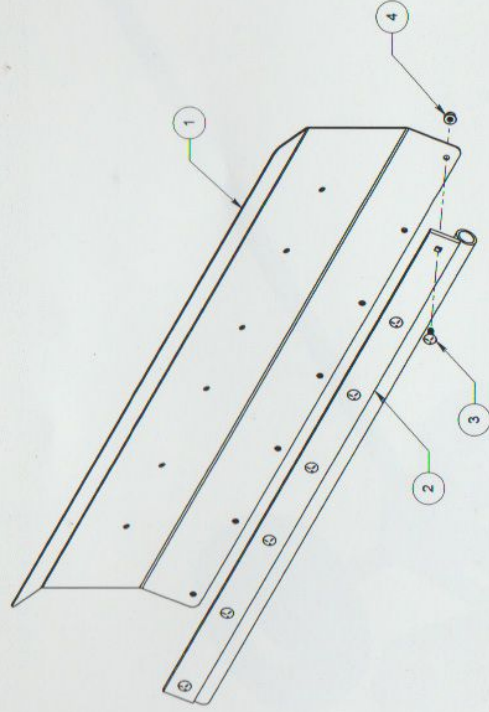
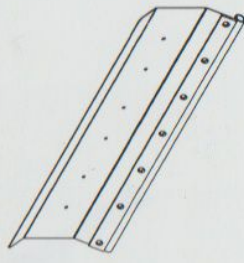


Contact Information: (315) 691-6415
Email: bajashopracing@yahoo.com

**Baja Shop Racing LTD.
Hubbardsville, New York USA**



DESCRIPTION		
THUNDERBOLT, R24, RESIDENTIAL		
SUB	DRAWING NO	REV
C	R24	-



Accessories

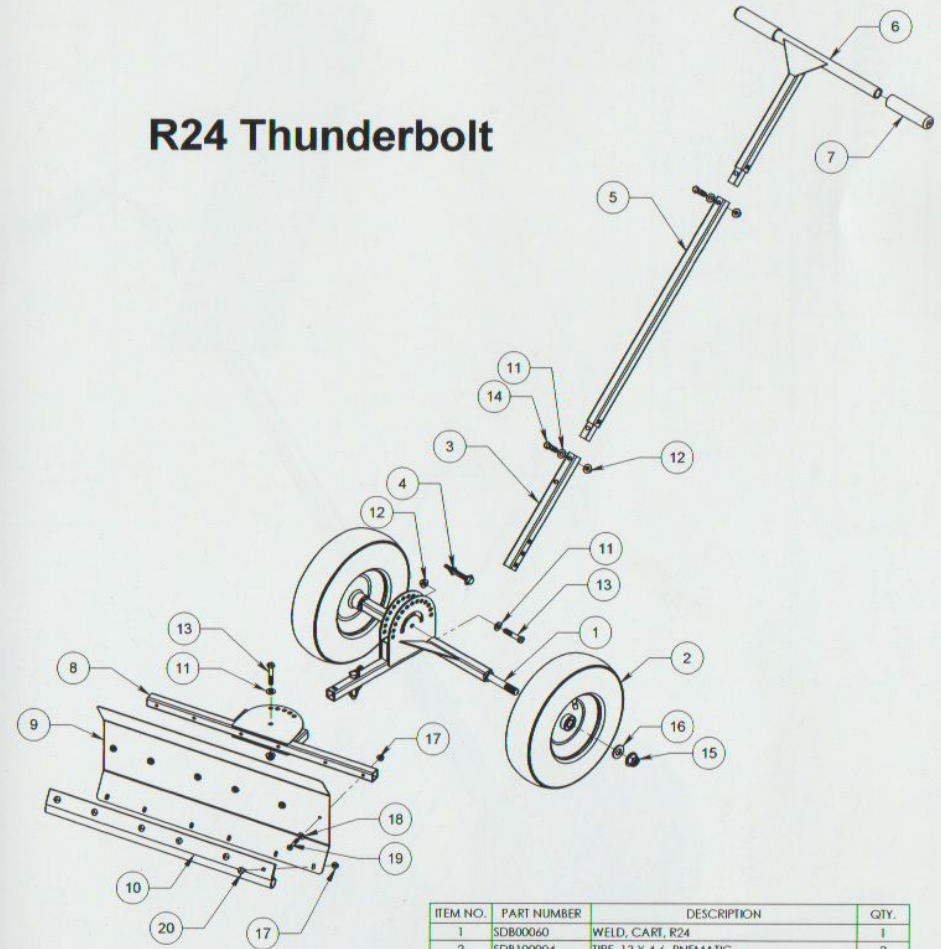
ITEM NO.	PART NUMBER	DESCRIPTION	QTY.
1	SDB00100	PLATE, FLOW BLADE, 30"	1
2	SDB00047	WELD, SNOW SHOE, 30"	1
3	SDB200017	BOLT, CARRIAGE, 1/4-20 X 3/4, GD5, YZ	7
4	SDB200006	NUT, 1/4-20, FLANGE, NYLOCK, YZ	13

MATERIAL: SEE BOM		DRAWING NO: B SDB60003	
FINISH: NONE		REV: -	
DATE: 12/22/2021		INSTR. USED: #####	
DRAWN BY: [Signature]		SIMILAR TO: [Signature]	
CHECKED BY: [Signature]		SCALE: 1:4	
APPROVED BY: [Signature]		SHEET 1 OF 1	

UNLESS OTHERWISE SPECIFIED, DIMENSIONS ARE IN INCHES UNLESS NOTED OTHERWISE.
 X X .0005
 X X .001
 X X .002
 X X .003
 X X .005
 X X .010
 X X .015
 X X .020
 X X .030
 X X .040
 X X .050
 X X .060
 X X .070
 X X .080
 X X .090
 X X .100
 X X .125
 X X .150
 X X .175
 X X .200
 X X .250
 X X .300
 X X .375
 X X .400
 X X .500
 X X .625
 X X .750
 X X .875
 X X 1.000
 X X 1.250
 X X 1.500
 X X 1.750
 X X 2.000
 X X 2.500
 X X 3.000
 X X 3.500
 X X 4.000
 X X 4.500
 X X 5.000
 X X 5.500
 X X 6.000
 X X 6.500
 X X 7.000
 X X 7.500
 X X 8.000
 X X 8.500
 X X 9.000
 X X 9.500
 X X 10.000
 X X 10.500
 X X 11.000
 X X 11.500
 X X 12.000
 X X 12.500
 X X 13.000
 X X 13.500
 X X 14.000
 X X 14.500
 X X 15.000
 X X 15.500
 X X 16.000
 X X 16.500
 X X 17.000
 X X 17.500
 X X 18.000
 X X 18.500
 X X 19.000
 X X 19.500
 X X 20.000
 X X 20.500
 X X 21.000
 X X 21.500
 X X 22.000
 X X 22.500
 X X 23.000
 X X 23.500
 X X 24.000
 X X 24.500
 X X 25.000
 X X 25.500
 X X 26.000
 X X 26.500
 X X 27.000
 X X 27.500
 X X 28.000
 X X 28.500
 X X 29.000
 X X 29.500
 X X 30.000
 X X 30.500
 X X 31.000
 X X 31.500
 X X 32.000
 X X 32.500
 X X 33.000
 X X 33.500
 X X 34.000
 X X 34.500
 X X 35.000
 X X 35.500
 X X 36.000
 X X 36.500
 X X 37.000
 X X 37.500
 X X 38.000
 X X 38.500
 X X 39.000
 X X 39.500
 X X 40.000
 X X 40.500
 X X 41.000
 X X 41.500
 X X 42.000
 X X 42.500
 X X 43.000
 X X 43.500
 X X 44.000
 X X 44.500
 X X 45.000
 X X 45.500
 X X 46.000
 X X 46.500
 X X 47.000
 X X 47.500
 X X 48.000
 X X 48.500
 X X 49.000
 X X 49.500
 X X 50.000
 X X 50.500
 X X 51.000
 X X 51.500
 X X 52.000
 X X 52.500
 X X 53.000
 X X 53.500
 X X 54.000
 X X 54.500
 X X 55.000
 X X 55.500
 X X 56.000
 X X 56.500
 X X 57.000
 X X 57.500
 X X 58.000
 X X 58.500
 X X 59.000
 X X 59.500
 X X 60.000
 X X 60.500
 X X 61.000
 X X 61.500
 X X 62.000
 X X 62.500
 X X 63.000
 X X 63.500
 X X 64.000
 X X 64.500
 X X 65.000
 X X 65.500
 X X 66.000
 X X 66.500
 X X 67.000
 X X 67.500
 X X 68.000
 X X 68.500
 X X 69.000
 X X 69.500
 X X 70.000
 X X 70.500
 X X 71.000
 X X 71.500
 X X 72.000
 X X 72.500
 X X 73.000
 X X 73.500
 X X 74.000
 X X 74.500
 X X 75.000
 X X 75.500
 X X 76.000
 X X 76.500
 X X 77.000
 X X 77.500
 X X 78.000
 X X 78.500
 X X 79.000
 X X 79.500
 X X 80.000
 X X 80.500
 X X 81.000
 X X 81.500
 X X 82.000
 X X 82.500
 X X 83.000
 X X 83.500
 X X 84.000
 X X 84.500
 X X 85.000
 X X 85.500
 X X 86.000
 X X 86.500
 X X 87.000
 X X 87.500
 X X 88.000
 X X 88.500
 X X 89.000
 X X 89.500
 X X 90.000
 X X 90.500
 X X 91.000
 X X 91.500
 X X 92.000
 X X 92.500
 X X 93.000
 X X 93.500
 X X 94.000
 X X 94.500
 X X 95.000
 X X 95.500
 X X 96.000
 X X 96.500
 X X 97.000
 X X 97.500
 X X 98.000
 X X 98.500
 X X 99.000
 X X 99.500
 X X 100.000

PARTS DIAGRAM

R24 Thunderbolt



ITEM NO.	PART NUMBER	DESCRIPTION	QTY.
1	SDB00060	WELD, CART, R24	1
2	SDB100004	TIRE, 13 X 4-6, PNEUMATIC	2
3	SDB00057	TUBE, 1" SQ X .12WT X 12.0" W/ HOLES	1
4	SDB200007	PIN, 3/8 X 1-7/8, SQ RETAINER	2
5	SDB00066	WELD, HANDLE, MID-SECTION, 24.00"	1
6	SDB00070	WELD, T-HANDLE, R24	1
7	SDB100002	GRIP, 1ID X 5.00L, FOAM	2
8	SDB00073	WELD, FLOW PIVOT, R24	1
9	SDB00074	PLATE, FLOW BLADE, 24", R24	1
10	SDB00076	WELD, FLOW BLADE SHOE, R24	1
11	SDB200002	WASHER, 3/8, SAE, YZ	4
12	SDB200003	NUT, 3/8 FLANGE, NYLOCK	4
13	SDB200011	BOLT, 3/8-16 X 2, GD5, YZ	2
14	SDB200012	BOLT, 3/8-16 X 1-1/2, GD5, YZ	2
15	SDB200013	NUT, 5/8-11, FLANGE, NYLOCK	2
16	SDB200014	WASHER, 5/8, SAE, YZ	2
17	SDB200006	NUT, 1/4-20, FLANGE, NYLOCK, YZ	12
18	SDB200015	WASHER, 1/4 SAE, YZ	6
19	SDB200016	BOLT, 1/4-20 X 1-1/2, GD5, YZ	6
20	SDB200017	BOLT, CARRIAGE, 1/4-20 X 3/4, GD5, YZ	6

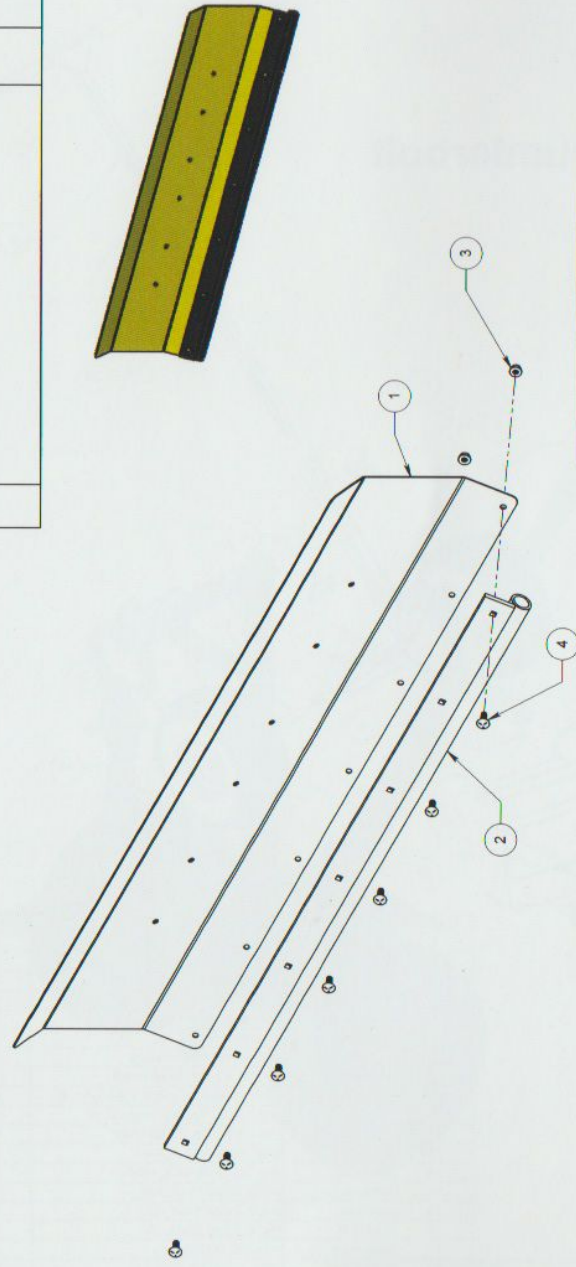


DESCRIPTION		
ASSM.		
REV	DRAWING NO	REV
C	SR30	-

SDB60002

WEIGHT: 14.30 LBS | SYM | REVISION DESCRIPTION

ECN# BY DATE



ITEM NO.	PART NUMBER	DESCRIPTION	QTY.
1	SDB00104	PLATE, PLOW BLADE, 36", R30	1
2	SDB00048	WELD, SNOW SHOE, 36"	1
3	SDB200006	NUT, 1/4-20, FLANGE, NYLOCK, YZ	13
4	SDB200017	BOLT, CARRIAGE, 1/4-20 X 3/4, GD5, YZ	7

UNIT OF MEASURE	INCHES
UNITS TO INCHES	1:1
TOLERANCES ON	
FINISH	
DRY	
ANGLE	
DEBURS/CHAMFER	
AND SHARP EDGES	
FOR REVISION 1, 2, 4, 5	
THIRD ANGLE PROJECTION	

DESCRIPTION
KIT, 36" PLOW, R30

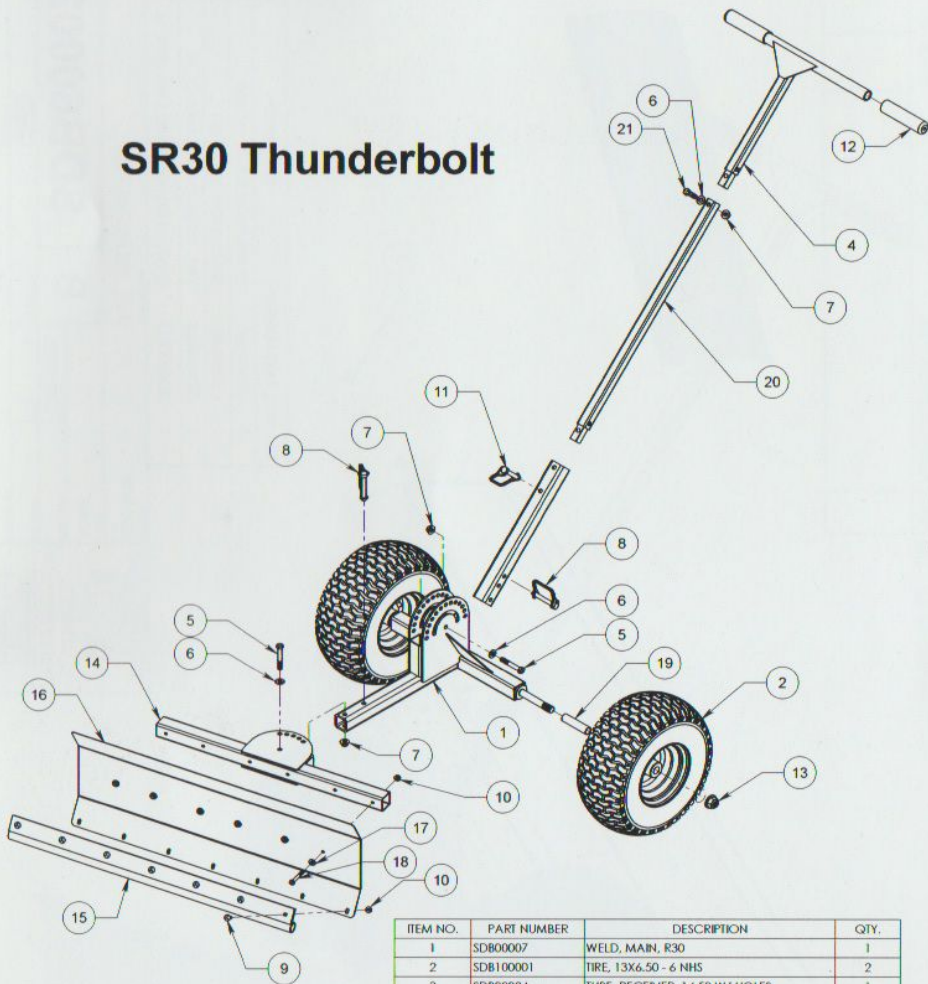
DATE	12/23/2021
DATE	
DATE	

ISSUED BY	B
PROJECT NO	SDB60002
DATE	###/###/###
APPROVED BY	

SCALE	1:8
SHEET NO	1 OF 1

Accessories

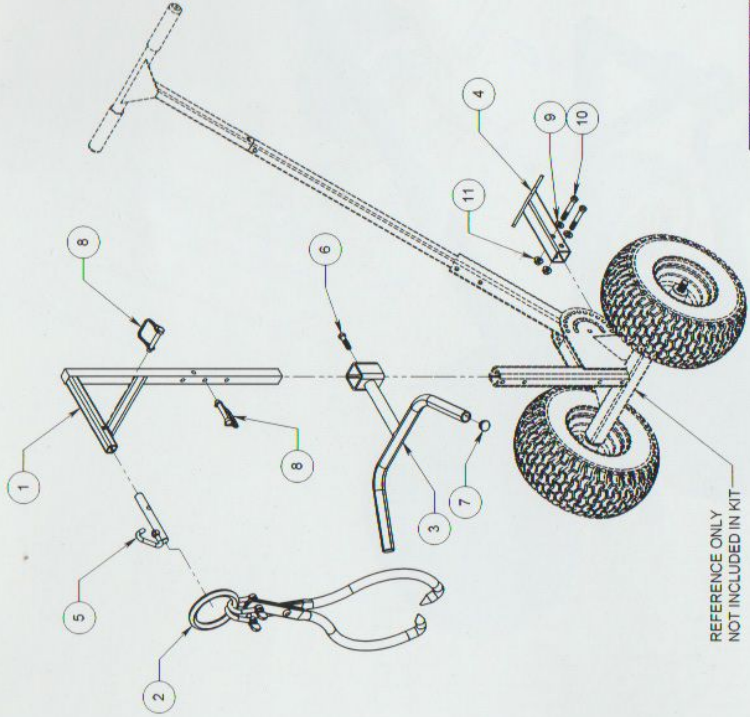
SR30 Thunderbolt



ITEM NO.	PART NUMBER	DESCRIPTION	QTY.
1	SDB00007	WELD, MAIN, R30	1
2	SDB100001	TIRE, 13X6.50 - 6 NHS	2
3	SDB00024	TUBE, RECEIVER, 14.50 W/ HOLES	1
4	SDB00070	WELD, T-HANDLE, R24	1
5	SDB200001	BOLT, 3/8-16 X 2-1/2, GD5 YZ	2
6	SDB200002	WASHER, 3/8, SAE YZ	3
7	SDB200003	NUT, 3/8 FLANGE, NYLOCK	3
8	SDB200004	PIN, 3/8 X 2-1/4, SQ RETAINER	2
9	SDB200017	BOLT, CARRIAGE, 1/4-20 X 3/4, GD5, YZ	7
10	SDB200006	NUT, 1/4-20, FLANGE, NYLOCK, YZ	13
11	SDB200007	PIN, 3/8 X 1-7/8, SQ RETAINER	1
12	SDB100002	GRIP, 1HD X 5.00L, FOAM	2
13	SDB200013	NUT, 5/8-11, FLANGE, NYLOCK	2
14	SDB00101	WELD, PLOW PIVOT, R30	1
15	SDB00047	WELD, SNOW SHOE, 30"	1
16	SDB00100	PLATE, PLOW BLADE, 30"	1
17	SDB200015	WASHER, 1/4 SAE, YZ	6
18	SDB200018	BOLT, 1/4-20 X 2, GD5, YZ	6
19	SDB00105	WHEEL BUSHING, 5/8 X 3/4 X 3.06	2
20	SDB00066	WELD, HANDLE, MID-SECTION, 24.00"	1
21	SDB200012	BOLT, 3/8-16 X 1-1/2, GD5 YZ	1



SIZE	DRAWING NO	REV
C	SR-BH	-



REFERENCE ONLY
NOT INCLUDED IN KIT

ITEM NO.	PART NUMBER	DESCRIPTION	QTY.
1	SDB00036	WELD, LOG MOVER	1
2	SDB100003	TONGS, LOG	1
3	SDB00054	WELD, LOG BRACE	1
4	SDB00043	WELD, FOOT PRESS	1
5	SDB00044	WELD, TONG HOOK	1
6	SDB200012	BOLT, 3/8-16 X 1-1/2, GD5 YZ	1
7	SDB100006	PLUG, TUBE	2
8	SDB200007	PIN, 3/8 X 1-7/8, SQ RETAINER	2
9	SDB200002	WASHER, 3/8, SAE YZ	2
10	SDB200001	BOLT, 3/8-16 X 2-1/2, GD5 YZ	2
11	SDB200003	NUT, 3/8 FLANGE, NYLOCK	2

UNLESS OTHERWISE SPECIFIED MATERIAL SHALL BE THE BEST AVAILABLE MATERIAL
DIMENSIONS ARE IN INCHES
TOLERANCES ON
FINISH
X.XX ±.00
X.X ±.01
X ±.03
HOLE ±.01
AND SHAFES ±.03
FOR SEE INST. # T11 AT 1.1.3

THIRD ANGLE PROJECTION

SEE BOM

NONE

DESIGNED BY: 12/23/2021

PROJECT NO: B

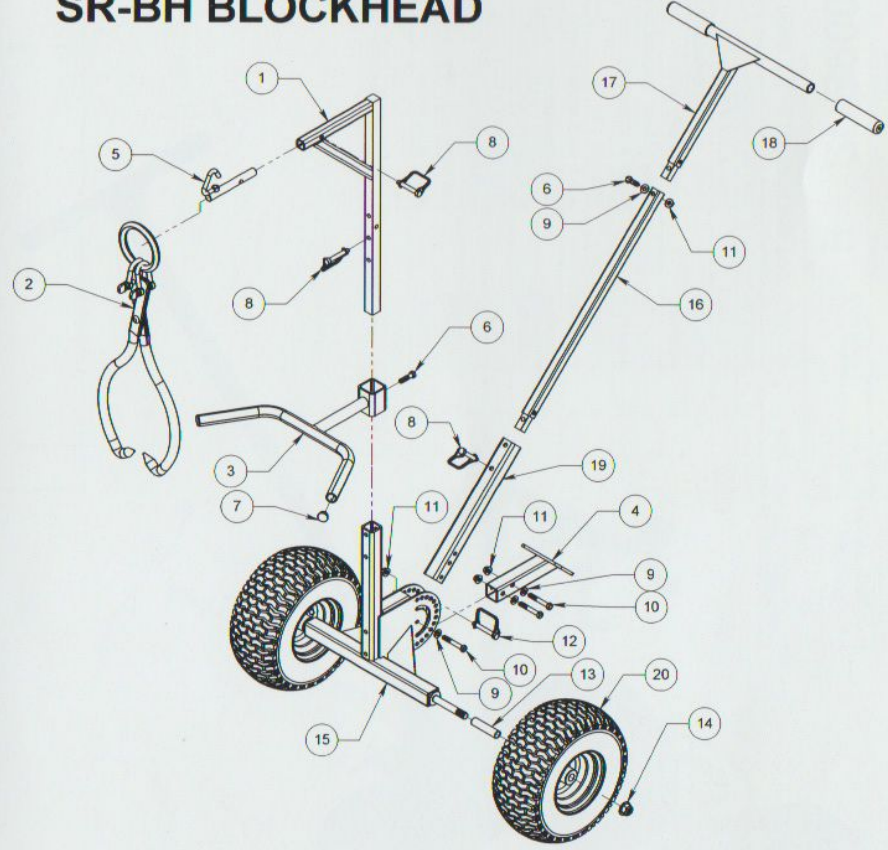
DRAWING NO: SDB60000

SCALE: 1:8

SHEET 1 OF 1

PARTS DIAGRAM

SR-BH BLOCKHEAD



ITEM NO.	PART NUMBER	DESCRIPTION	QTY.
1	SDB00036	WELD, LOG MOVER	1
2	SDB100003	TONGS, LOG	1
3	SDB00054	WELD, LOG BRACE	1
4	SDB00043	WELD, FOOT PRESS	1
5	SDB00044	WELD, TONG HOOK	1
6	SDB200012	BOLT, 3/8-16 X 1-1/2, GD5 YZ	2
7	SDB100006	PLUG, TUBE	2
8	SDB200007	PIN, 3/8 X 1-7/8, SQ RETAINER	3
9	SDB200002	WASHER, 3/8, SAE YZ	4
10	SDB200001	BOLT, 3/8-16 X 2-1/2, GD5 YZ	3
11	SDB200003	NUT, 3/8 FLANGE, NYLOCK	4
12	SDB200004	PIN, 3/8 X 2-1/4, SQ RETAINER	1
13	SDB00105	WHEEL BUSHING, 5/8 X 3/4 X 3.06	2
14	SDB200013	NUT, 5/8-11, FLANGE, NYLOCK	2
15	SDB00007	WELD, MAIN, R30	1
16	SDB00066	WELD, HANDLE, MID-SECTION, 24.00"	1
17	SDB00070	WELD, T-HANDLE, R24	1
18	SDB100002	GRIP, 1ID X 5.00L, FOAM	2
19	SDB00024	TUBE, RECEIVER, 14.50 W/ HOLES	1
20	SDB100001	TIRE, 13X6.50 - 6 NHS	2



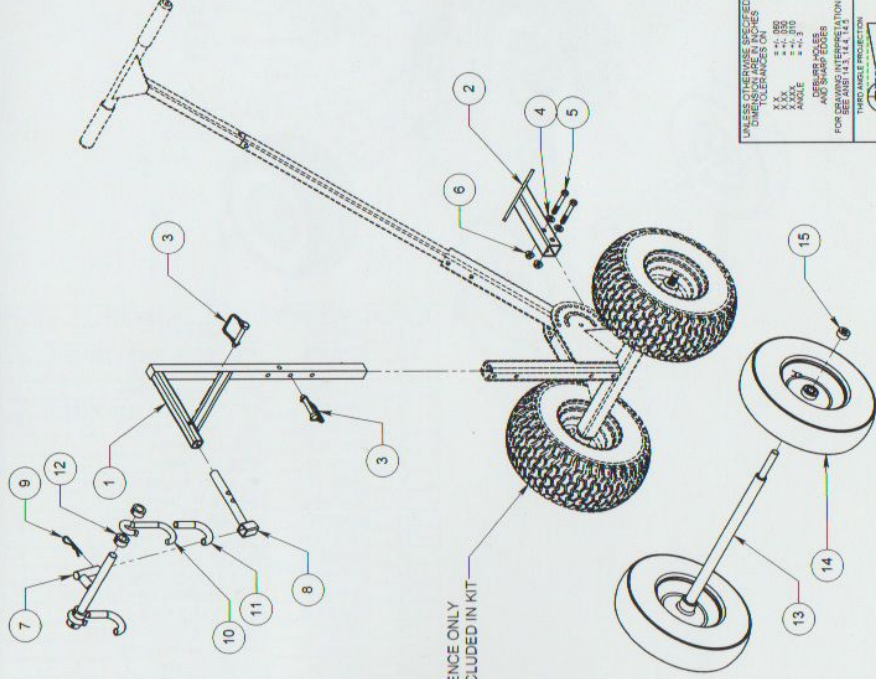
DESCRIPTION SNOWMOBILE CART, SR30		
SIZE C	DRAWING NO. SR-SNO	REV. -

SDB60001

WEIGHT: **29.7** LBS

SYM REVISION DESCRIPTION

ECN # BY DATE



REFERENCE ONLY
NOT INCLUDED IN KIT

ITEM NO.	PART NUMBER	DESCRIPTION	QTY.
1	SDB000036	WELD, LOG MOVER	1
2	SDB000043	WELD, FOOT PRESS	1
3	SDB200007	PIN, 3/8 X 1-7/8, SQ RETAINER	2
4	SBD200002	WASHER, 3/8, SAE YZ	2
5	SDB200001	BOLT, 3/8-16 X 2-1/2, GDS YZ	2
6	SDB200003	NUT, 3/8 FLANGE, NYLOCK	2
7	SDB000093	WELD, SNOWMOBILE, LIFT	1
8	SDB000089	WELD, SNOWMOBILE, MAIN	1
9	SDB000098	HAIR PIN, 2.50	1
10	SDB000095	HOOK, SNOWMOBILE LIFT	2
11	SDB000097	HOSE, SLEEVE, SNOWMOBILE LIFT	2
12	SDB000096	COLLAR, SET, 3/4"	4
13	SDB000099	SHAFT, AXLE, SNOWMOBILE LIFT	1
14	SDB100004	TIRE, 13 X 4-6, PNEUMATIC	2
15	SDB00106	COLLAR, SET, 5/8"	2

UNLESS OTHERWISE SPECIFIED MATERIAL DIMENSIONS ARE IN INCHES

FINISH
X.X RB
X.XX DTG
X.XXX H.S.
ANGLE H.S.
HOLE H.S.
ADDITIONAL SPECIFICATIONS

FOR DRAWING INTERPRETATION
SEE PARTS LIST, E.T., E.S.

DATE: **12/23/2021**

DRAWN BY: _____
CHECKED BY: _____
APPROVED BY: _____

PROJECT NO: _____
SCALE: **1:8**

DRAWING NO: **B**
KIT, SNOWMOBILE LIFT, SR30

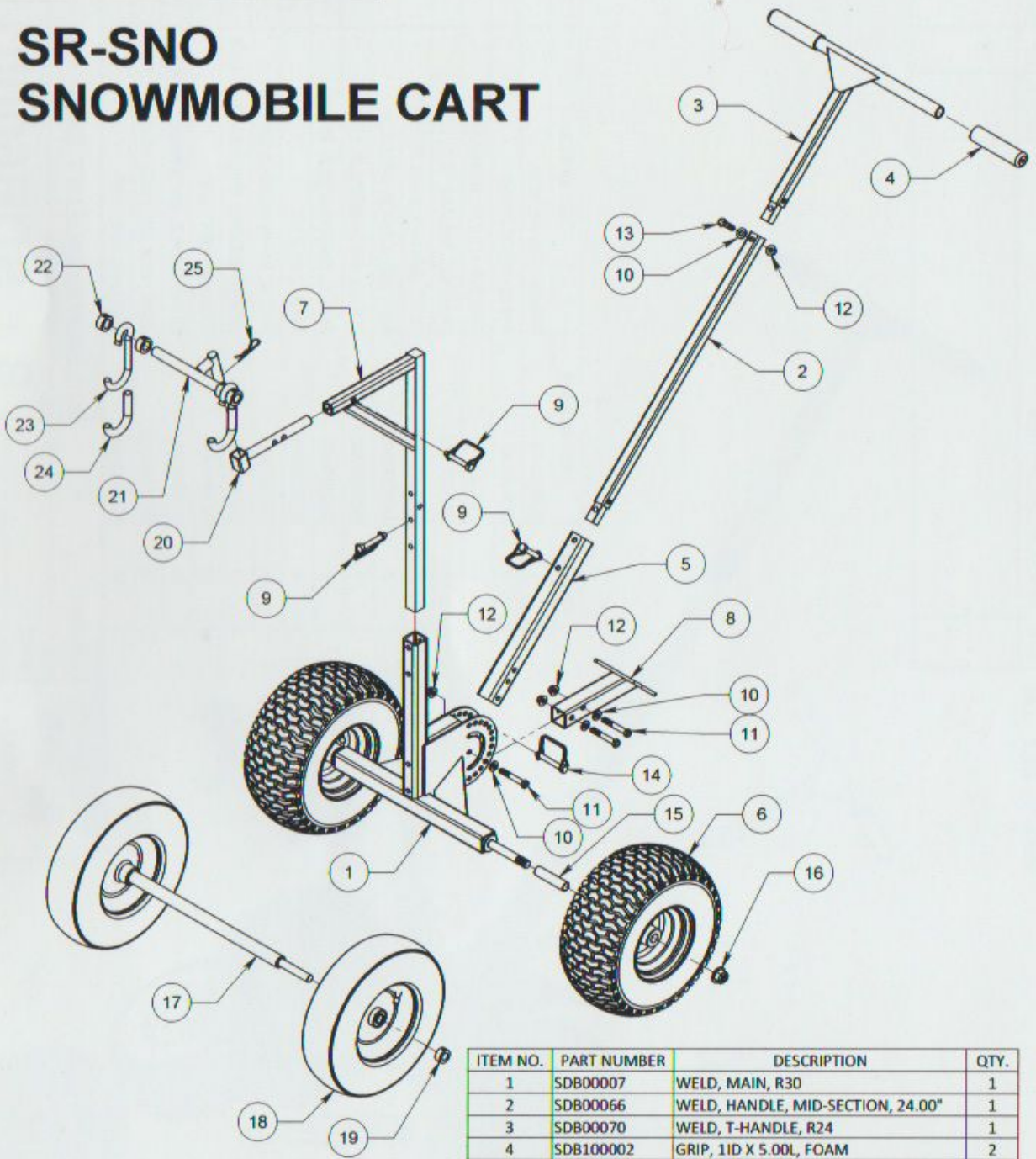
REVISION: **SDB60001 -**

DRAWN TO: #####
SHEET 1 OF 1

Accessories

PARTS DIAGRAM

SR-SNO SNOWMOBILE CART



ITEM NO.	PART NUMBER	DESCRIPTION	QTY.
1	SDB00007	WELD, MAIN, R30	1
2	SDB00066	WELD, HANDLE, MID-SECTION, 24.00"	1
3	SDB00070	WELD, T-HANDLE, R24	1
4	SDB100002	GRIP, 1ID X 5.00L, FOAM	2
5	SDB00024	TUBE, RECEIVER, 14.50 W/ HOLES	1
6	SDB100001	TIRE, 13X6.50 - 6 NHS	2
7	SDB00036	WELD, LOG MOVER	1
8	SDB00043	WELD, FOOT PRESS	1
9	SDB200007	PIN, 3/8 X 1-7/8, SQ RETAINER	3
10	SBD200002	WASHER, 3/8, SAE YZ	4
11	SDB200001	BOLT, 3/8-16 X 2-1/2, GD5 YZ	3
12	SDB200003	NUT, 3/8 FLANGE, NYLOCK	4
13	SDB200012	BOLT, 3/8-16 X 1-1/2, GD5 YZ	1
14	SDB200004	PIN, 3/8 X 2-1/4, SQ RETAINER	1
15	SDB00105	WHEEL BUSHING, 5/8 X 3/4 X 3.06	2
16	SDB200013	NUT, 5/8-11, FLANGE, NYLOCK	2
17	SDB00099	SHAFT, AXLE, SNOWMOBILE LIFT	1
18	SDB100004	TIRE, 13 X 4-6, PNEMATIC	2
19	SDB00106	COLLAR, SET, 5/8"	2
20	SDB00089	WELD, SNOWMOBILE, MAIN	1
21	SDB00093	WELD, SNOWMOBILE, LIFT	1
22	SDB00096	COLLAR, SET, 3/4"	4
23	SDB00095	HOOK, SNOWMOBILE LIFT	2
24	SDB00097	HOSE, SLEEVE, SNOWMOBILE LIFT	2
25	SDB00098	HAIR PIN, 2.50	1



THUNDERBOLT BLOCKHEAD

WE'VE GOT YOUR BACK

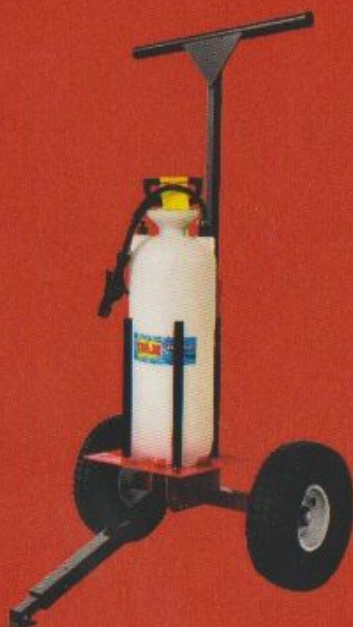
When you choose the **Blockhead**, you'll be able to move heavy wood with ease. Gone are the days of carrying heavy blocks and logs by hand – let the **Blockhead** move them for you.



WE HELP YOU GET GROWING

The perfect machine for your garden, the **Blast** is manufactured with all your needs in mind.

Machined slots allow for adjustable pillars, so your **Blast** will be able to carry a wide array of items, including sprayers, cans, buckets, pots, and much more!



WINTER STORM? S'NO PROBLEM!



The new, chiseled **SR-30/R-24** can relieve the need for shoveling and cuts down on time. And, time is money – the **SR-30** is perfect for businesses that need to shovel out storefronts and sidewalks.